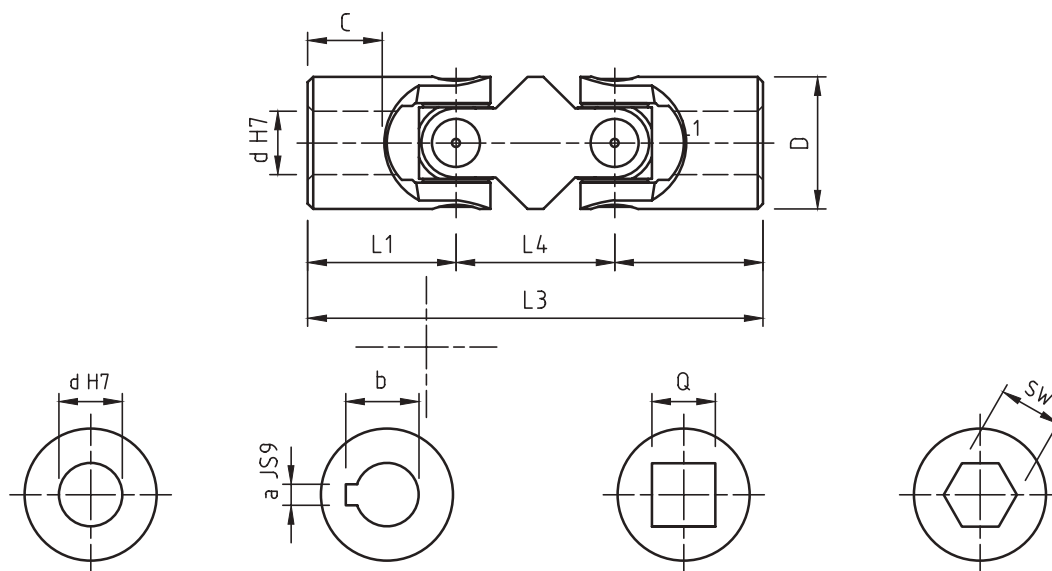


## serie «GD»

series (DIN 808)

- Wear resistant sliding bushes from cemented and hardened steel
- Strong precise and versatile; wide application field.
- Max angle: 90° - Max speed 1000 R.P.M.
- "GD" to DIN 808 - "GBD" to DIN 808/7551
- Special executions on request



Mod. Type	Code	d	D	L3	L1	L4	C	Code	Code	a	b	Code	Q	* SW	Weight Kg
01GD	SG0D 0600	6	16	56	17	22	8	SG0D 061C	SG0D 062C	2	7	SG0D 062Q	6	6	0.08
02GD	SG0D 0800	8	16	62	20	22	11	SG0D 081C	SG0D 082C	2	9	SG0D 082Q	8	8	0.08
03GD	SG0D 1000	10	22	74	24	26	12	SG0D 101C	SG0D 102C	3	11.4	SG0D 102Q	10	10	0.15
04GD	SG0D 1200	12	25	86	28	30	13	SG0D 121C	SG0D 122C	4	13.8	SG0D 122Q	12	12	0.25
05GD	SG0D 1400	14	28	96	30	36	14	SG0D 141C	SG0D 142C	5	16.3	SG0D 142Q	14	14	0.40
1GD	SG0D 1600	16	32	105	34	37	16	SG0D 161C	SG0D 162C	5	18.3	SG0D 162Q	16	16	0.45
2GD	SG0D 1800	18	36	114	37	40	17	SG0D 181C	SG0D 182C	6	20.8	SG0D 182Q	18	18	0.70
3GD	SG0D 2000	20	42	129	41	47	18	SG0D 201C	SG0D 202C	6	22.8	SG0D 202Q	20	20	1.00
4GD	SG0D 2200	22	45	145	47.5	50	22	SG0D 221C	SG0D 222C	6	24.8	SG0D 222Q	22	22	1.55
5GD	SG0D 2500	25	50	163	54	55	26	SG0D 251C	SG0D 252C	8	28.3	SG0D 252Q	25	25	2.00
6GD	SG0D 3000	30	58	190	61	68	29	SG0D 301C	SG0D 302C	8	33.3	SG0D 302Q	30	30	2.90
6GD1	SG0D 3200	32	58	198	65	68	33	SG0D 321C	SG0D 322C	10	35.3	SG0D 322Q	30	30	3.00
7GD	SG0D 3500	35	70	212	70	72	33	SG0D 351C	SG0D 352C	10	38.3	—	**	**	4.75
8GD	SG0D 4000	40	80	245	80	85	38	SG0D 401C	SG0D 402C	12	43.3	—	**	**	7.20
9GD	SG0D 5000	50	95	290	95	100	46	SG0D 501C	SG0D 502C	14	53.8	—	**	**	12.00

Criteria di scelta pag. - Selection criteria page 38

\* = Non sempre disponibile a magazzino / Not always available in stock

\*\* = A richiesta / On request

